

RAMPTECH® PCA ADAPTOR

SAGEPARTS.COM / INFO@SAGEPARTS.COM

ERGONOMICALLY DESIGNED AND **PROTECTS** YOUR DUCTING CUFF

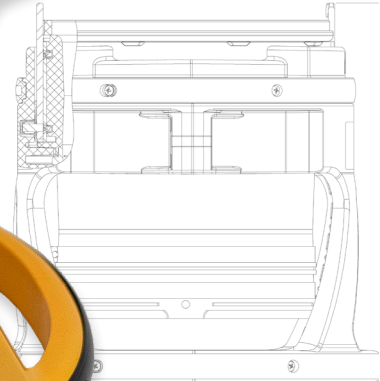
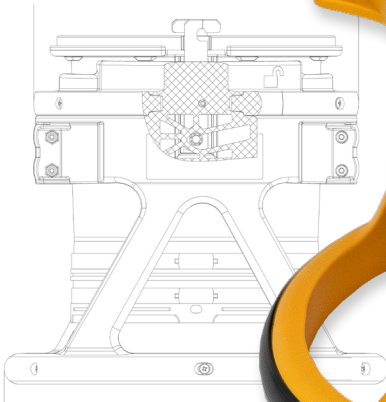


SECURE

FITS ANY AIRCRAFT & LOCKING CONFIGURATION



LOCK/UNLOCK INDICATOR



BUILT TO LAST

MAINTENANCE FREE

- WITHSTANDS HOT AND COLD EXTREMES
- RESISTANT TO RAMP CHEMICALS AND UV RAYS

ONE MOTION SECURE LOCKING



OPERATOR SAFETY

- ERGONOMIC HANDLE
- NO SHARP EDGES FROM WEAR AND TEAR
- EASILY REPLACEABLE GASKET

360° PROTECTION OF DUCT AND CUFF



ENGINEERED TO PERFORM UNDER THE MOST DEMANDING CONDITIONS

LIGHTWEIGHT WITH AN INTEGRATED PATENTED DESIGN

360° WEAR GUARDS eliminate possible ground contact damage while protecting the unit and ducting

360° ERGONOMIC HANDLE makes connecting to any size aircraft much easier

FULL SEAL GASKET PROTECTION ensures that it always properly fits onto the aircraft and eliminates air leakage

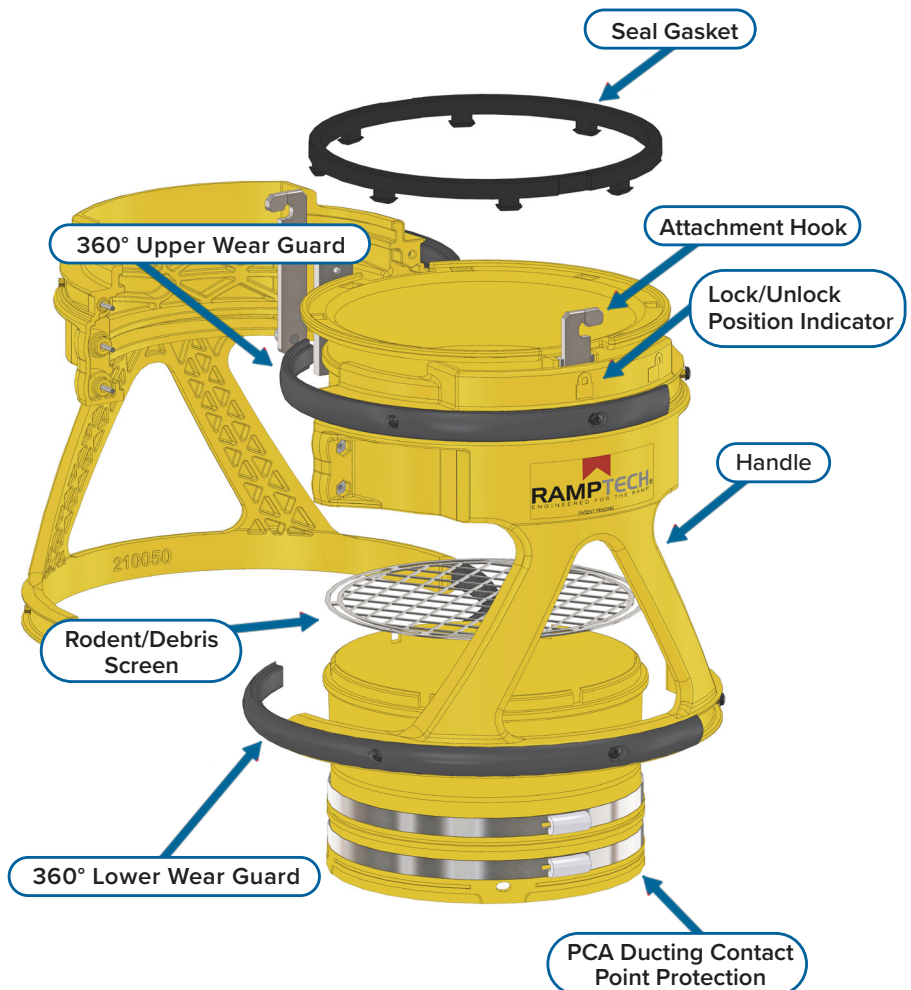
INTEGRATED 360° SWIVEL ensures proper alignment when connecting to ducting

LOCK/UNLOCK POSITION INDICATOR provides a secure fit

RODENT/DEBRIS SCREEN provides OPTIMAL AIR FLOW

SEAL GASKET is easily replaceable with PRESS-ON TABS that are SECURED

ATTACHMENT HOOKS are compatible with the Boeing and Airbus type PCA ports



TO DOWNLOAD
THIS PRODUCT
SHEET:

